

FREE LENGTHS

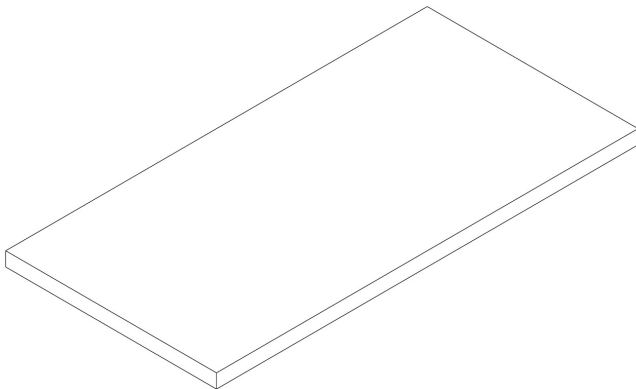
Free length patterns are a random assortment of 650, 750 and 900mm lengths tiles. While the lengths vary, all tiles are 600mm wide and 20mm thick.

All free lengths are sold by the square metre.

PROFILES

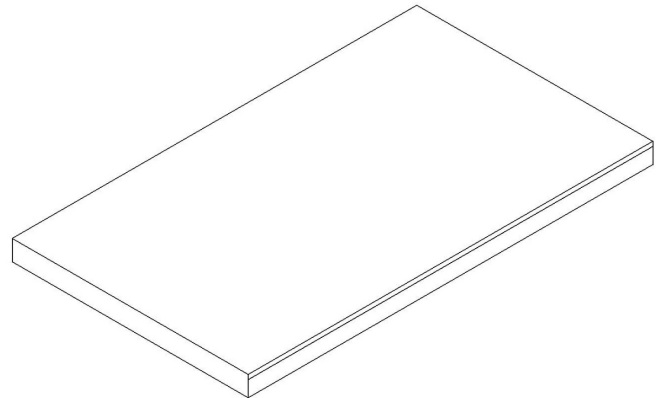
Standard Tile

Standard tiles have only the top of the tile finished.



Square Edge Coper

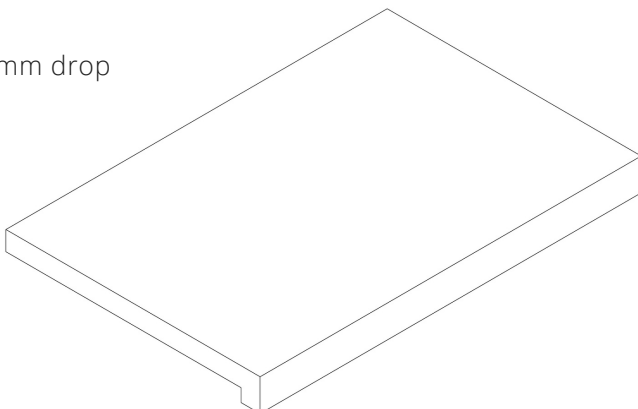
The long edge of the stone has been chamfered along the top and bottom edges and dressed to the same finish as the top surface of the stone.



Drop Face Coper

The drop face coper is cut from a solid piece of stone. The top and the drop face are both dressed to the same finish as the paving for consistency of appearance.

50mm drop



70mm drop

